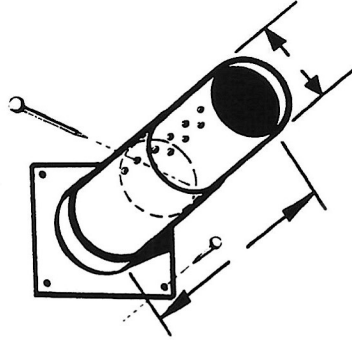


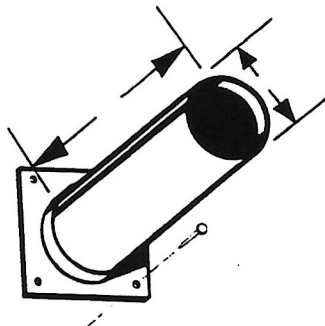
SLEEVES DESIGNED TO SAVE INSTALLATION TIME

#10 Adjustable Deck Sleeve



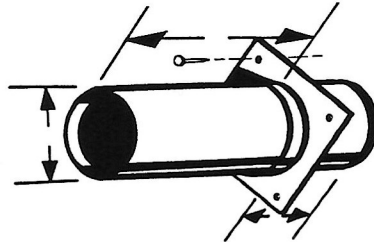
- * Fabricated out of 26 gauge Sheetmetal: request heavier gauge if needed.
- * Smallest diameter available: 1 1/2".
- * Diameters are also available in a variety of 1/2" sizes.
- * 1/2" diameters other than 1 1/2" are custom and are not discounted.
- * Adjustments: 4"-7"; 7"-10"; 10"-13"; 12"-15".
- * Custom adjustments available.
- * Flanged at bottom and capped at top.

#104 Non-Adjustable Deck Sleeve



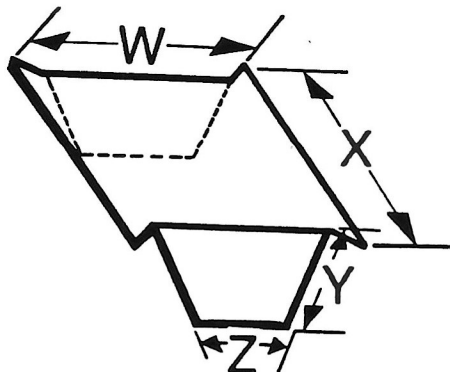
- * Fabricated out of 26 gauge Sheetmetal: request heavier gauge if needed.
- * Smallest diameter available: 1 1/2".
- * Diameters are also available in a variety of 1/2" sizes.
- * 1/2" diameters other than 1 1/2" are custom and are not discounted.
- * Flanged at bottom and capped at top.

#2 NON-ADJUSTABLE METAL Q-DECK SLEEVE



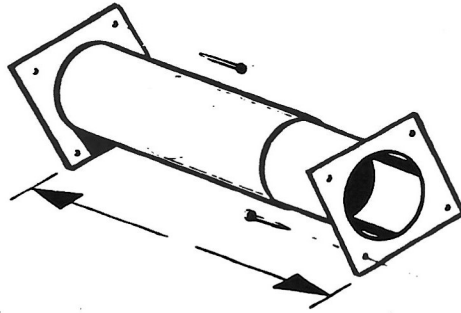
- * Fabricated out of 26 gauge Sheetmetal: request heavier gauge if needed.
- * Just burn the hole and drop the sleeve in place.
- * To secure - tack weld or use metal screws.
- * Smallest available diameter is 1 1/2".
- * Diameters are also available in a variety of 1/2" sizes.
- * 1/2" diameters other than 1 1/2" are custom and are not discounted.
- * Various lengths are available.
- * When ordering give length above and below flange.
- * Capped at top. Flanged per customers request.

#3 STEEL DECKING ADAPTER PLATES



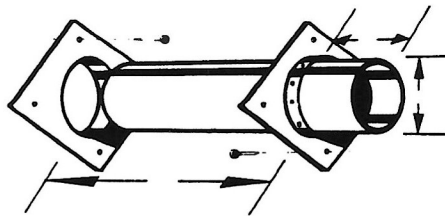
- * Fabricated out of 22 gauge Sheetmetal.
- * Designed to block out the void below a standard deck sleeve when used on "Robertson" or similar type deck.
- * Can be attached to the steel decking with screws or tack weld.
- * When ordering customer **must** specify the W, X, and Z dimensions.

#100 TELESCOPIC WALL SLEEVES



- * Fabricated out of 26 gauge Sheetmetal: request heavier gauge if needed.
- * Adjustment lengths: 4 1/2"-7"; 6 1/2"-10"; 8 1/2"-13"; 12 1/2" - 20"; 18 1/2" - 30"
26 1/2" - 45".
- * Smallest diameter available: 1 1/2".
- * Diameters are also available in a variety of 1/2" sizes.
- * 1/2" diameters other than 1 1/2" are custom and are not discounted.
- * Flanged at both ends.
- * No fixed length just push in.
- * Nail one flange pull out and nail other end.

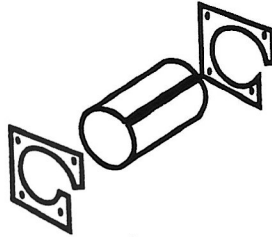
#11 ADJUSTABLE PARTITION SLEEVE



- * Fabricated out of 26 gauge Sheetmetal: request heavier gauge if needed.
- * Smallest diameter available: 1 1/2".
- * Diameters also available in a variety of 1/2" sizes.
- * 1/2" diameters other than 1 1/2" are custom and are not discounted.
- * One of the flanges is loose for adjusting to the necessary length; the other is welded.
- * Can be used for wood or steel partitions.
- * Plaster lip on adjustable sleeves can adjust to any thickness of plaster.
- * Brace from metal stud, tack weld or use metal screws.

OPEN END TUBE SLEEVE

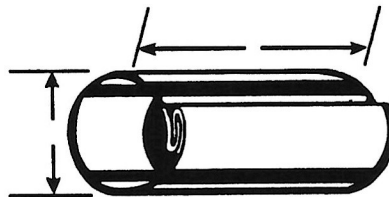
Split Seam



- * This sleeve is fabricated out of 26 gauge Sheetmetal.
- * Sleeve is open at both ends.
- * The seam of the sleeve is left split with an overlap and may require flanges to secure from opening.
- * Sleeve can also be spotwelded along the seam.
- * Smallest diameter available: 1 1/2"
- * Sleeve can be fabricated in a variety of diameters and lengths.
- * Sleeve can also be fabricated in heavier gauges.

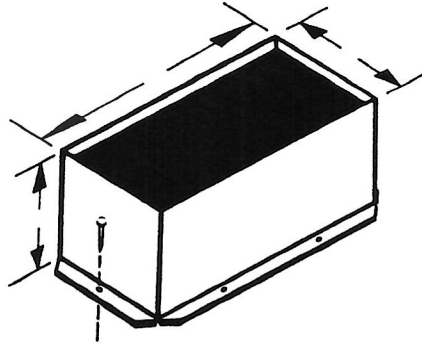
OPEN END TUBE SLEEVE

Interlocking Seam



- * Fabricated out of 26 gauge Sheetmetal.
- * Sleeve is open at both ends.
- * The seam on the sleeve is made to be snapped into place to secure it from opening.
- * Smallest diameter available: 2"
- * Sleeve can be made in a variety of diameters, but can only be made up to 20" in length.

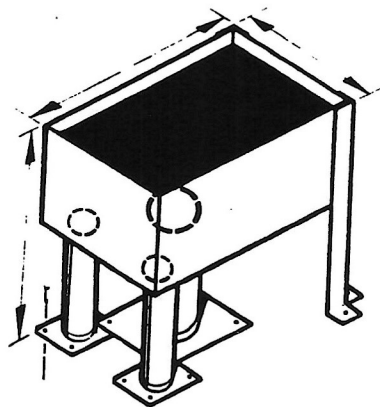
#13 STANDARD BOX FORM



**STANDARD
BOX FORM**

- * Fabricated out of 26 gauge sheetmetal.
- * Can be fabricated in heavier gauges.
- * Fabricated in various dimensions.
- * Box is capped at top and has a 1/2" lip on bottom with nail holes.

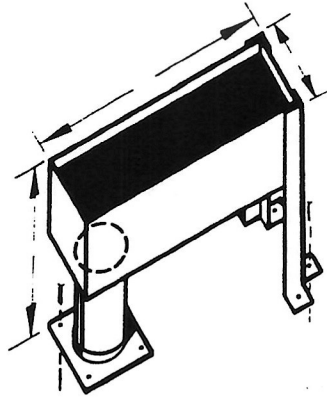
#14 TUB BOX



10 X 12TR

- * Fabricated out of 26 gauge Sheetmetal.
- * Can be fabricated in heavier gauges.
- * Standard size of box (without cans and legs) is: 10" Wide; 12" Long and 4" High
- * Has two sleeves; 2" diameter and a 4" diameter.
- * Sleeves are used where both waste water rise go in the same area.
- * Various lengths are available.
- * Please specify length of cans.

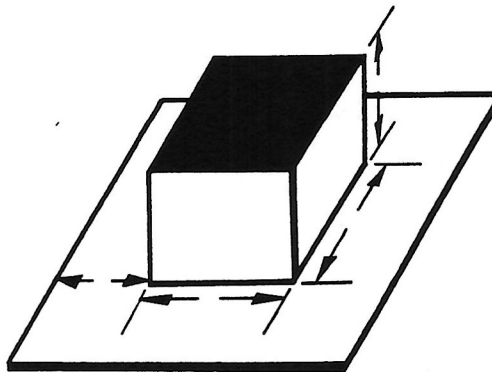
#15 TUB BOX



5 x 12T

- * Fabricated out of 26 gauge Sheetmetal.
- * Can be fabricated in heavier gauges.
- * Standard size of box (without can and legs) is: 5" Wide: 12" Long and 4" High.
- * Has one sleeve that is 4" diameter.
- * Tub box is used in providing space for a tub or shower trap within the floor slab.
- * Various lengths are available.
- * Please specify length of cans.

PITCH POCKET



W = WIDTH

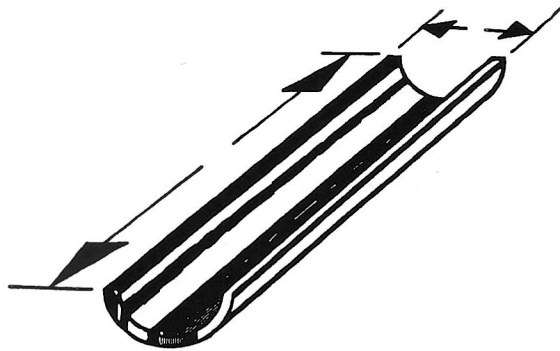
L = LENGTH

H = HEIGHT

SKIRT SIZE MUST
BE SPECIFIED

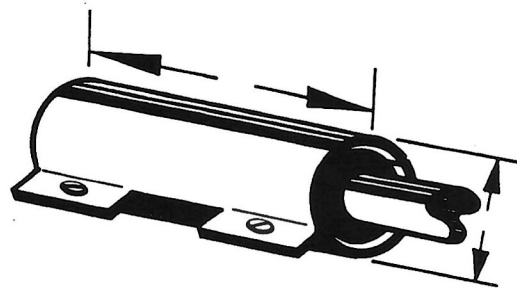
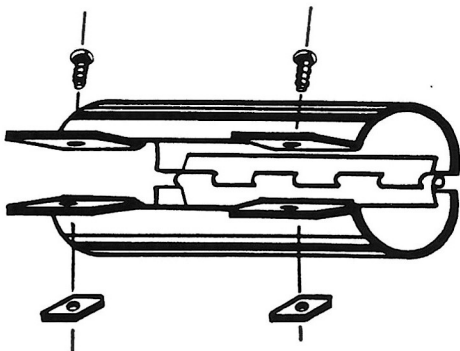
- * Fabricated out of 26 gauge Sheetmetal
- * Seams are normally spotwelded, but can be soldered or left split.
- * Skirt size is standard 4".
- * Pitch pocket is left open; cap can be made only if specified.

#97 INSULATION HALF SADDLE (Shield)



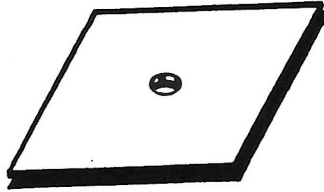
- * Fabricated in 18, 16, 14 gauge Sheetmetal.
- * Fabricated in various diameters and lengths.
- * Also available in lighter gauges and in Stainless Steel or Aluminum.
- * Used to protect the pipe insulation from being crushed by the pipe hanger and is a protective covering over insulation.

#98 FULL CIRCLE INSULATION SADDLE (Shield)



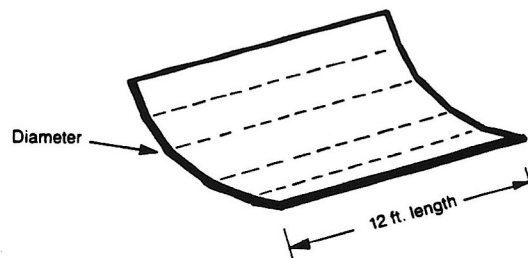
- * Fabricated in 18, 16 and 14 gauge Sheetmetal.
- * Two halves hinged at one side joined by piano hinge with bolt holes.
- * Available in lighter gauges and in Stainless Steel or Aluminum.

BAFFLE PLATES FOR FIRE SPRINKLER HEADS



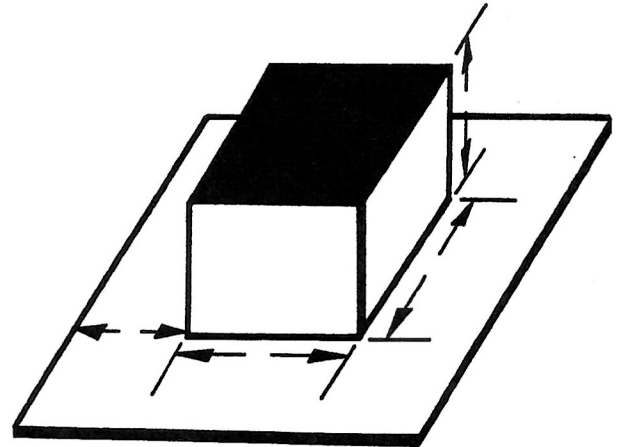
- * Fabricated out of 18 gauge Sheetmetal.
- * Various sizes available.
- * Hole included in a variety of sizes.

14 GA. NO HUB SUPPORT



- * Fabricated out of 14 gauge Sheetmetal.
- * No Hub Support is an easy method of supporting the flexible joints in No Hub pipelines; to maintain a straight line run and to minimize inserting pipe and hangers.
- * Available only in 12 ft. lengths.

26 gauge Pitch Pocket



Please provide: L= Length
W= Width
H = Height

L x W x H

Skirt Size

2" x 4" x 4"
2" x 6" x 4"

4" skirt
4" skirt

3" x 3" x 4"
3" x 6" x 4"
3" x 12" x 4"

4" skirt
4" skirt
4" skirt

4" x 4" x 4"
4" x 4" x 6"
4" x 4" x 8"
4" x 6" x 4"
4" x 8" x 4"

4" skirt
4" skirt
4" skirt
4" skirt
4" skirt

6" x 6" x 4"
6" x 12" x 12"
6" x 18" x 12"

4" skirt
4" skirt
4" skirt

8" x 4" x 8"
8" x 8" x 4"
8" x 16" x 4"

4" skirt
4" skirt
4" skirt

12" x 4" x 4"
12" x 12" x 6"
12" x 16" x 4"

4" skirt
4" skirt
4" skirt

15" x 6" x 7"
20" x 6" x 6"

4" skirt
6" skirt